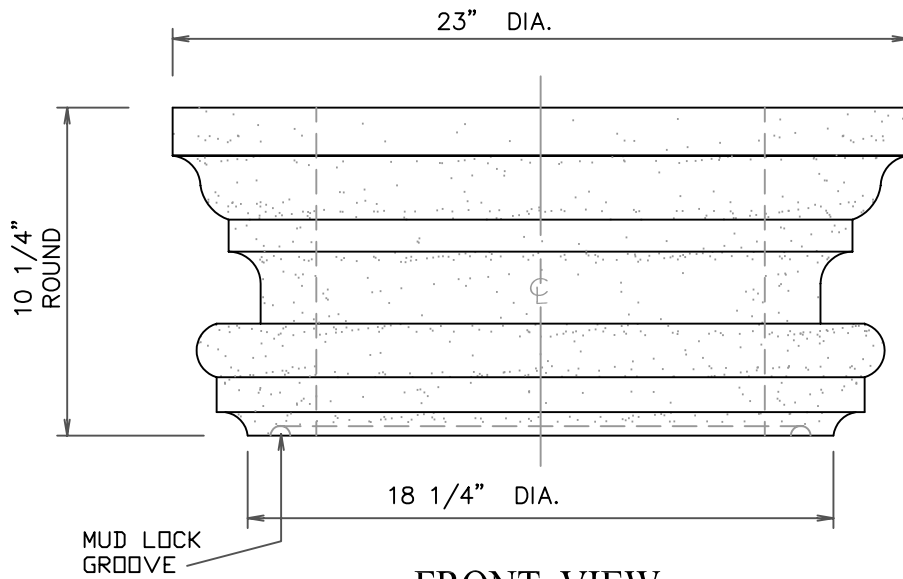
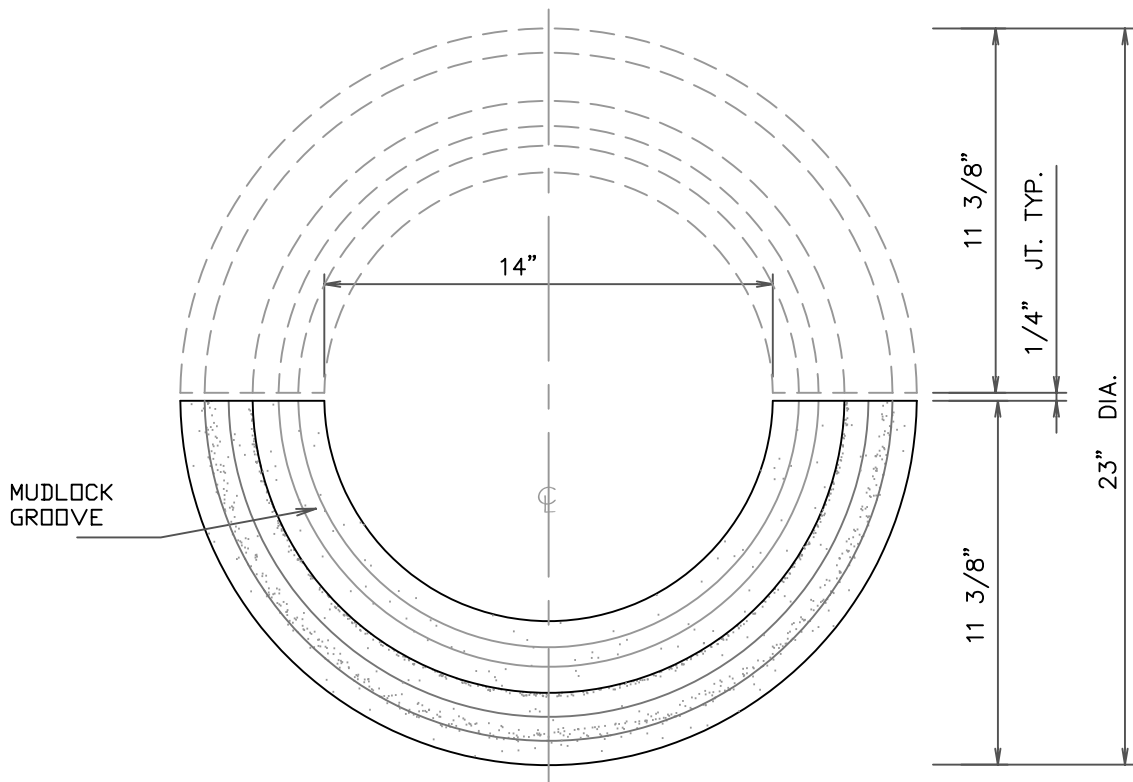


CARLYSLE COLUMN CAPITAL



FRONT VIEW



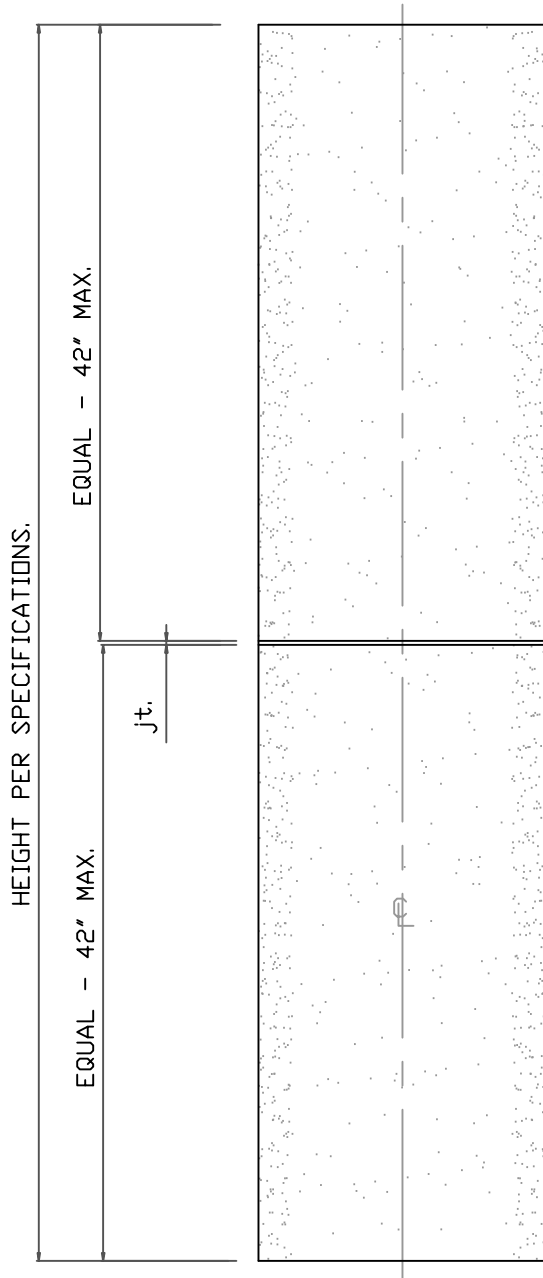
REFLECTED VIEW



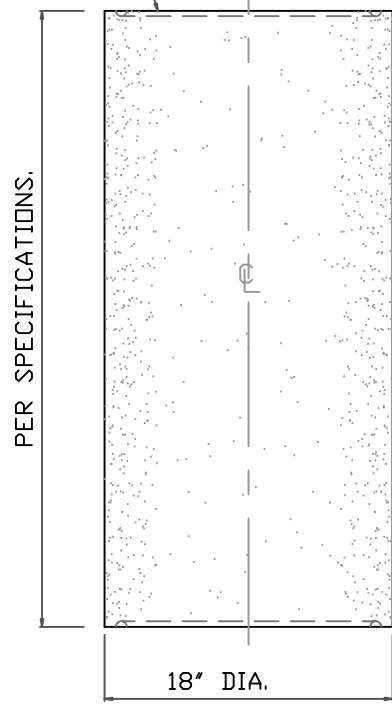
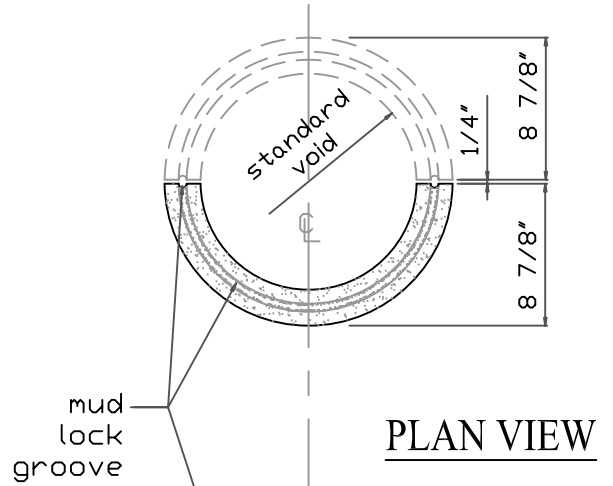
1901 ELSA AVENUE NAPLES, FL. 34109 (239) 597-7218
FAX: (239) 566-8432

© D.C. Kerckhoff
2006

CARLYSLE COLUMN SHAFT



COLUMN SHAFT ELEVATION



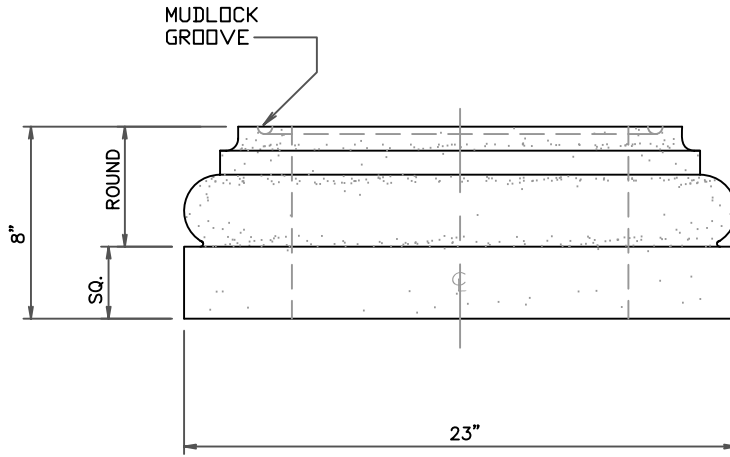
FRONT VIEW



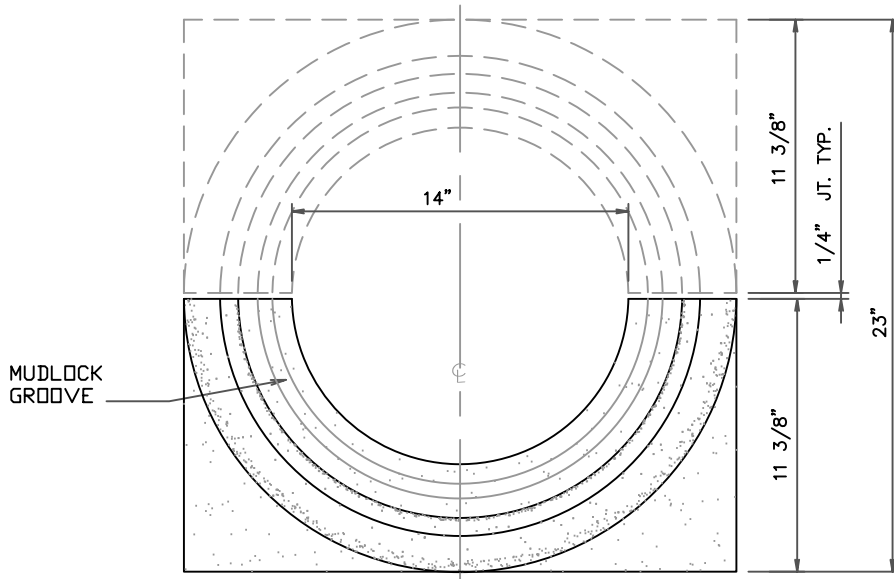
STONE CAST
1901 ELSA AVENUE NAPLES, FL. 34109 (239) 597-7218
FAX: (239) 566-8432

© D.C. Kerckhoff
2006

CARLYSLE COLUMN BASE



FRONT VIEW



PLAN VIEW



STONE CAST
1901 ELSA AVENUE NAPLES, FL. 34109 (239) 597-7218
FAX: (239) 566-8432

© D.C. Kerckhoff
2006