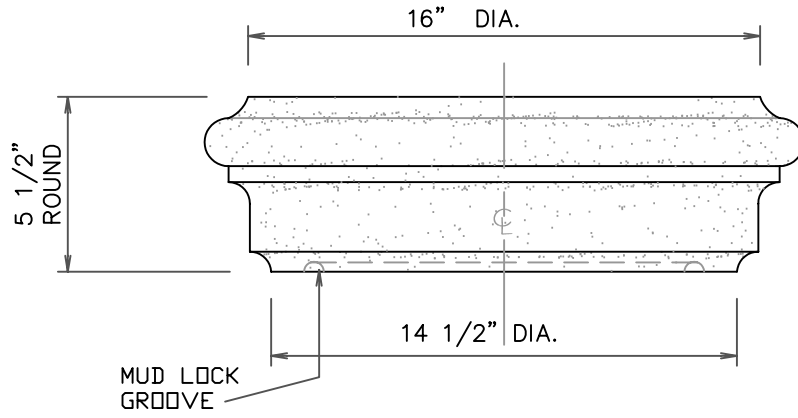
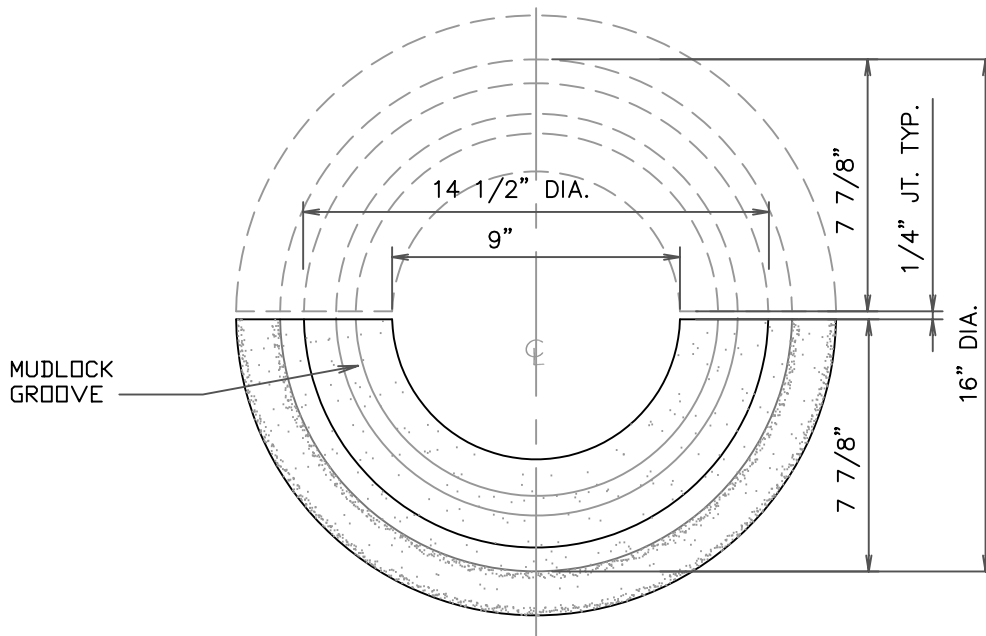


# BALLROOM COLUMN CAPITAL



## FRONT VIEW



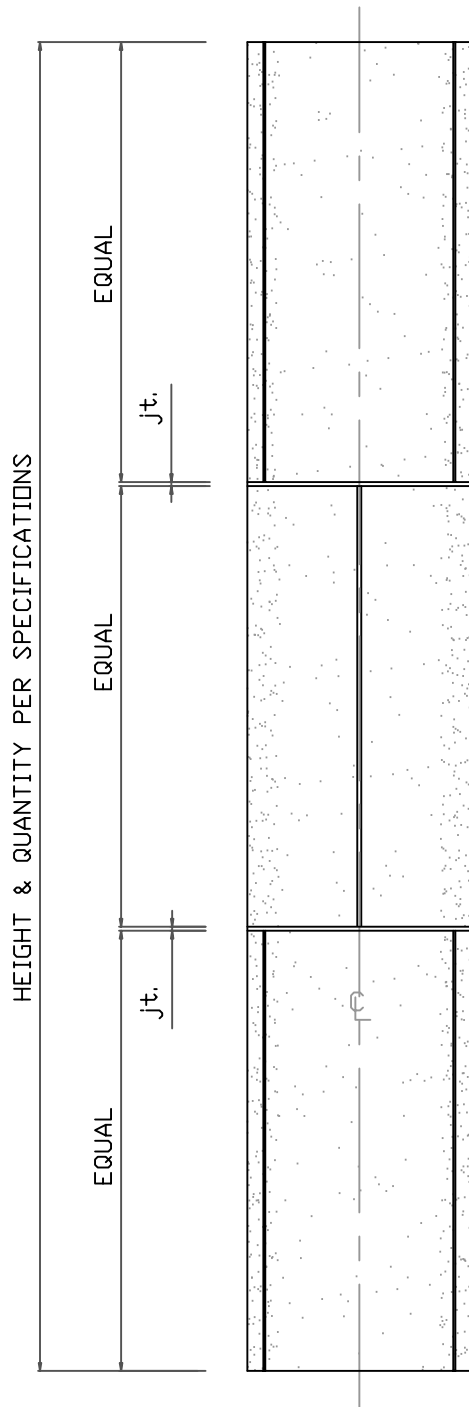
## REFLECTED VIEW



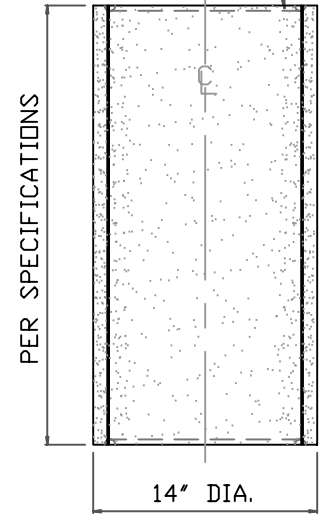
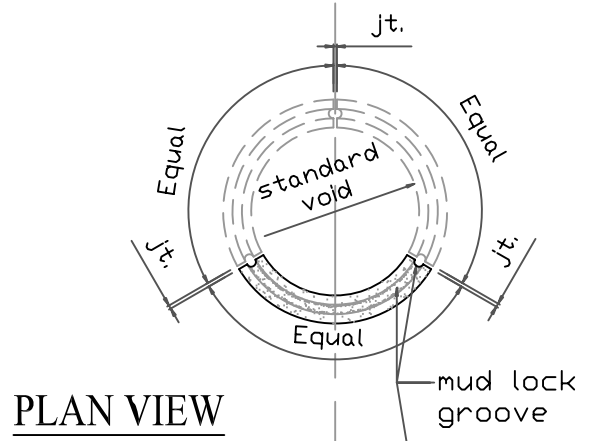
STONE CAST  
1901 ELSA AVENUE NAPLES, FL. 34109 (239) 597-7218  
FAX: (239) 566-8432

© D.C. Kerckhoff  
2006

# BALLROOM COLUMN SHAFT



COLUMN SHAFT ELEVATION



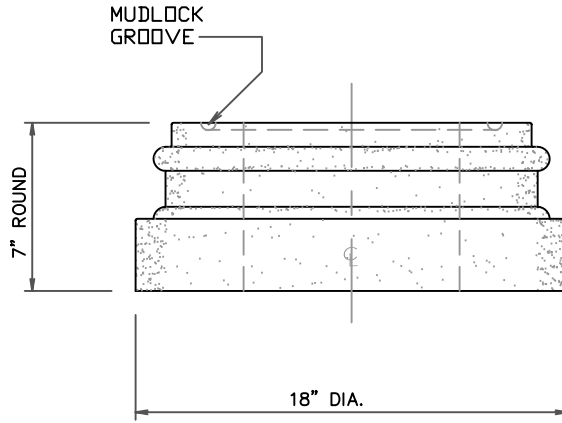
FRONT VIEW



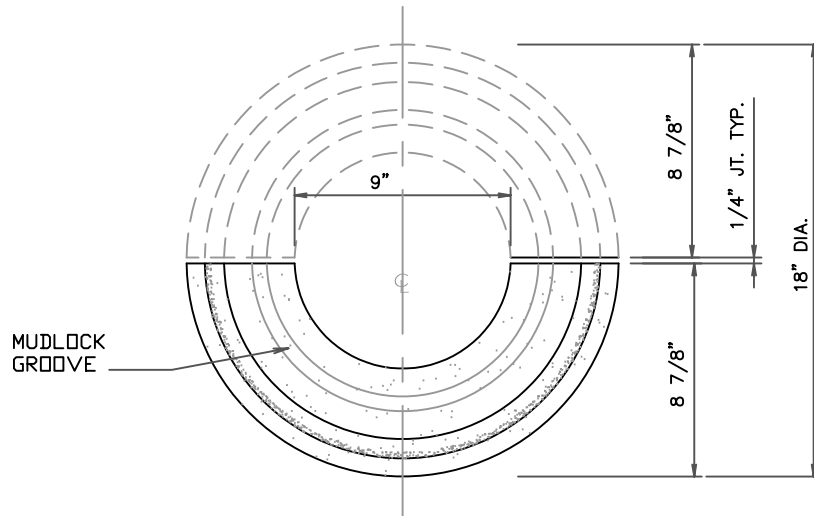
1901 ELSA AVENUE NAPLES, FL. 34109 (239) 597-7218  
FAX: (239) 566-8432

© D.C. Kerckhoff  
2006

# BALLROOM COLUMN BASE



FRONT VIEW



PLAN VIEW



STONE CAST  
1901 ELSA AVENUE NAPLES, FL. 34109 (239) 597-7218  
FAX: (239) 566-8432

© D.C. Kerckhoff  
2006