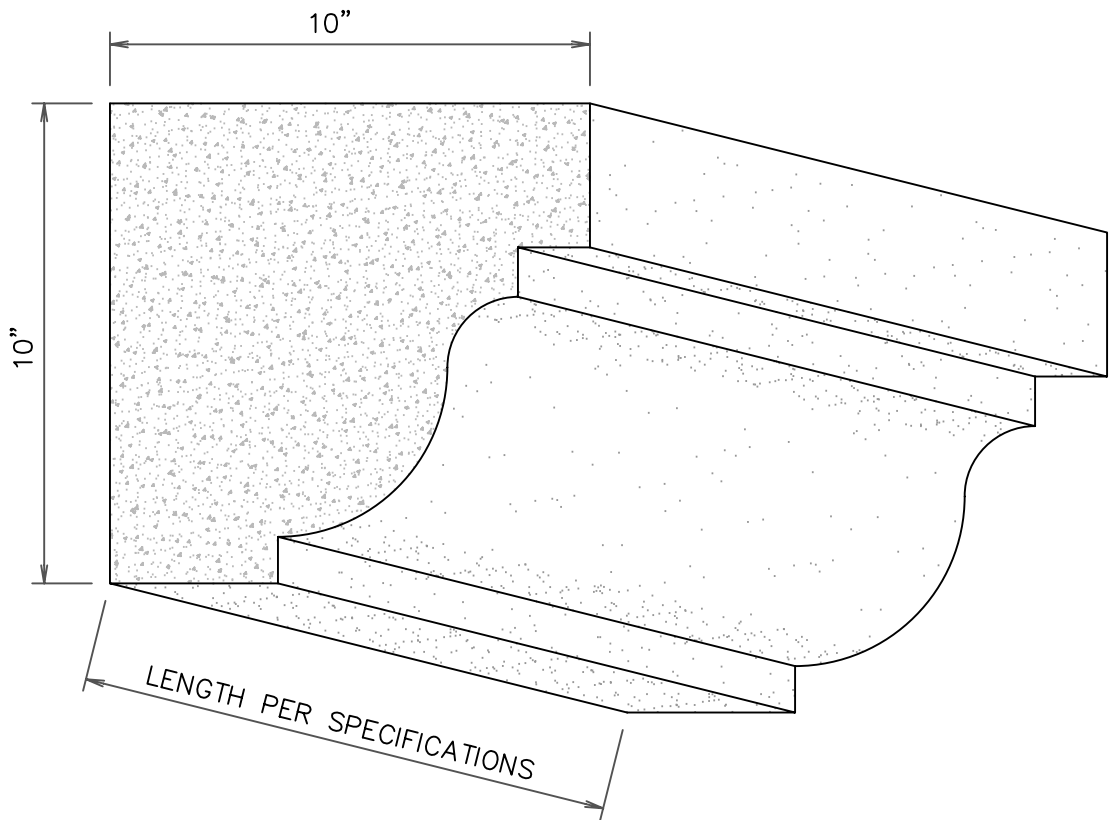


ISLEWORTH MANTLE TRIM



END & FRONT VIEW



STONE CAST
1901 ELSA AVENUE NAPLES, FL. 34109 (239) 597-7218
FAX: (239) 566-8432

© D.C. Kerckhoff
2006